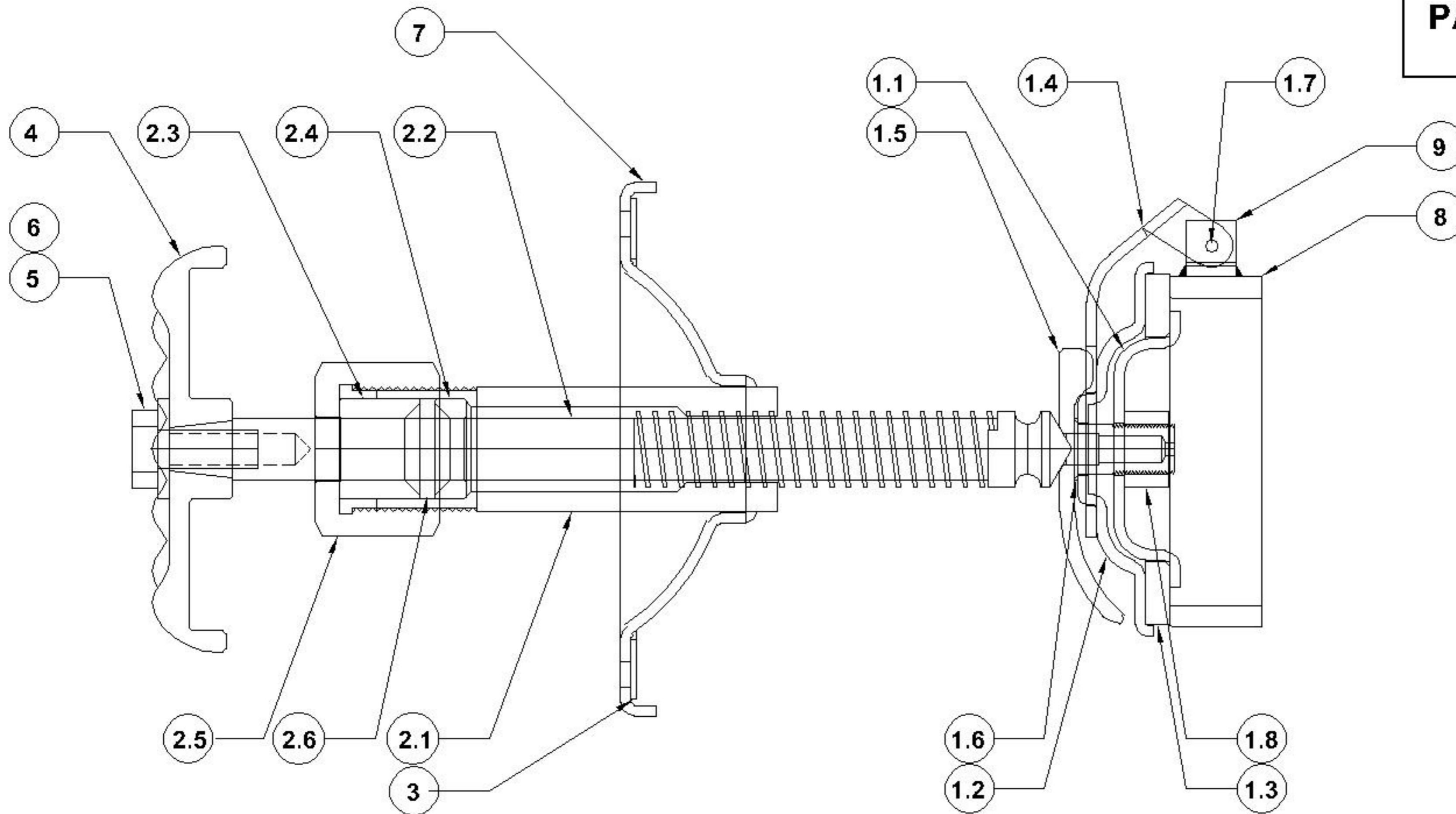


UNIQUE WELDING & FABRICATING

3"

SWING CHECK
MANIFOLD
PART#:M000CMA031



1545 BRITANNIA RD EAST, UNIT 30-31, MISSISSAUGA, ON, CANADA, L4W 3C6

INT'L TELE: +1-705-720-7335, TOLL FREE: 1-866-927-9898, INT'L FAX: +1-705-720-7330

WEB: www.UNIQUEWELDINGFABRICATING.ca, E-MAIL: info@uniqueweldingfabricating.ca