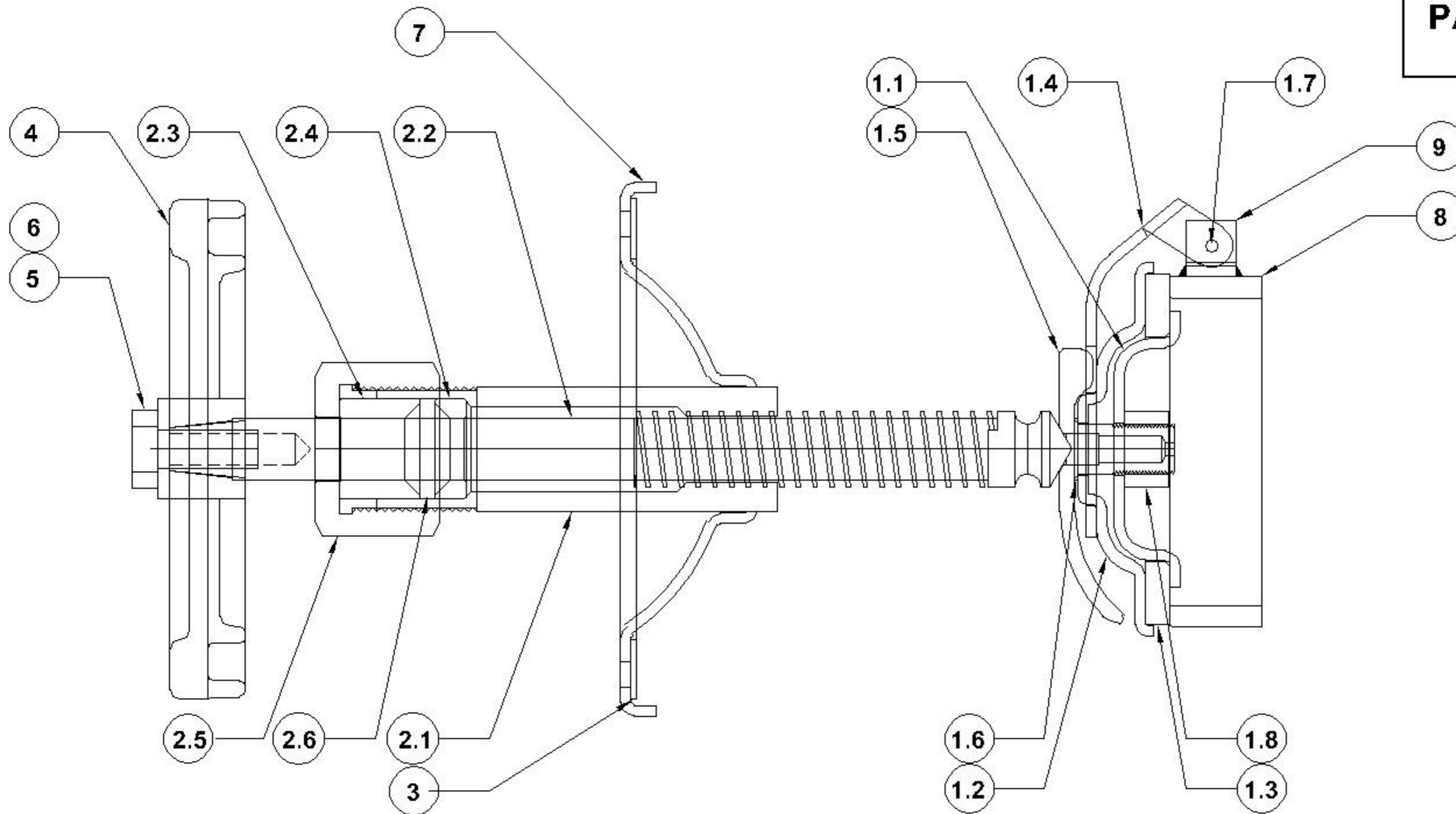


# UNIQUE WELDING & FABRICATING

# 4"

SWING CHECK  
MANIFOLD  
PART#:M000CMA041



1545 BRITANNIA RD EAST, UNIT 30-31, MISSISSAUGA, ON, CANADA, L4W 3C6

INT'L TELE: +1-705-720-7335, TOLL FREE: 1-866-927-9898, INT'L FAX: +1-705-720-7330

WEB: [www.UNIQUEWELDINGFABRICATING.ca](http://www.UNIQUEWELDINGFABRICATING.ca), E-MAIL: [info@uniqueweldingfabricating.ca](mailto:info@uniqueweldingfabricating.ca)